

Printer/Scanner Unit Type 2075 (B659)  
IEEE 1394 Interface Board Type B (B581)  
IEEE 802.11b Interface Unit Type C (B582)  
Data Overwrite Security Unit Type C (B735)

**Printer/Scanner Unit Type 2075 (B659)  
IEEE 1394 Interface Board Type B (B581)  
IEEE 802.11b Interface Unit Type C (B582)Data Overwrite  
Security Unit Type C (B735)**

**PARTS CATALOG**

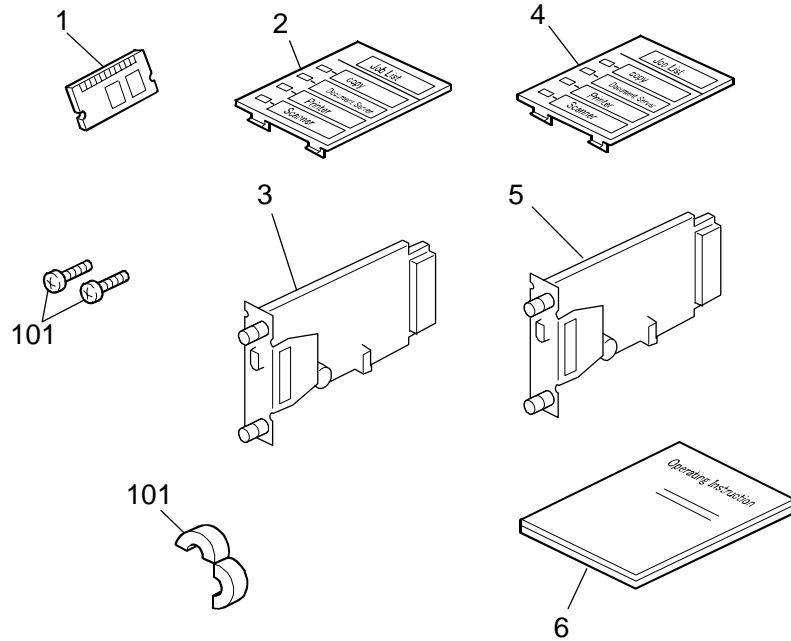
This catalog gives the numbers and names of parts on this machine.

1.Printer/Scanner/IEEE1394/IEEE802.11b.....	2
/Security Unit	
<b>Parts Index .....</b>	<b>5</b>

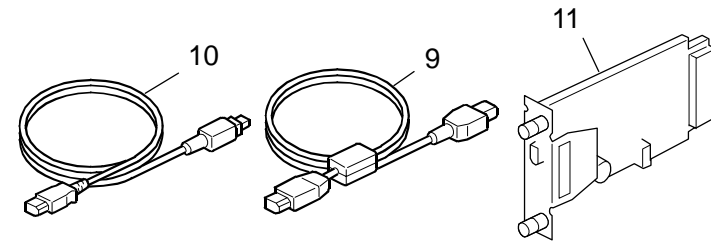
**August ,10 ' 2004**

# 1. Printer/Scanner/IEEE1394/IEEE802.11b/Security Unit

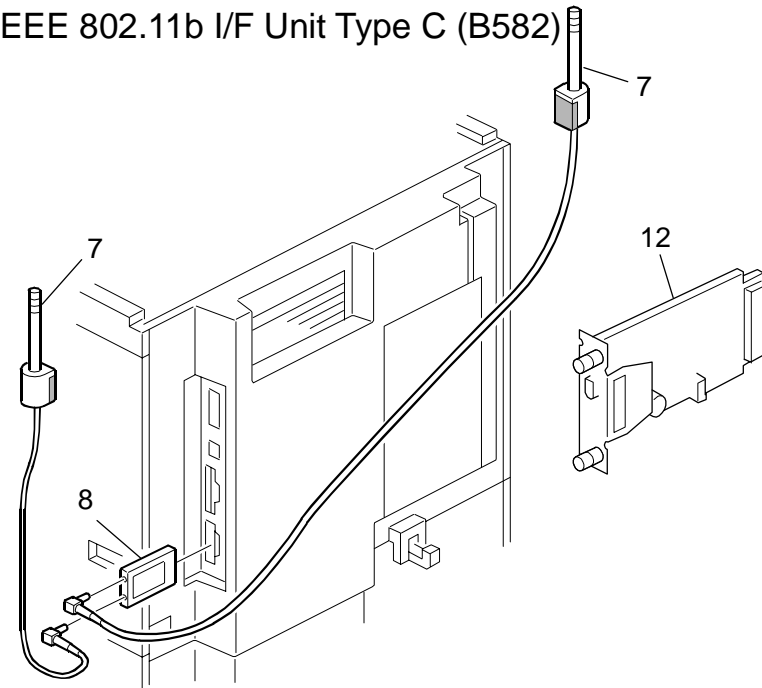
## Printer/Scanner Kit Type 2075 (B659)



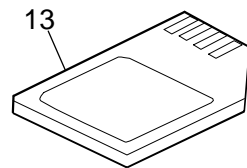
## 1394 I/F Board Type B (B581)



## IEEE 802.11b I/F Unit Type C (B582)



## Data Overwrite Security Unit Type C (B735)



### 1.Printer/Scanner/IEEE1394/IEEE802.11b

Index No.	Part No.	Description	Q'ty Per Assembly
1	B585 5020	PCB:DDR-DIMM:256MB:ASS'Y	1
2	G338 1421	Keytop - Printer/Scanner - US	1
3	B594 5660	PCB NIC ASS'Y	1
4	G338 1422	Keytop - Printer/Scanner - EU	1
5	B595 5665	PCB:IEEE1284:ASS'Y	1
6	B659 8607	Operating Instructions - NA	1
7	G628 5400	Option Antenna - GW-WLAN	2
8	G628 5461	Wireless Card - US	1
9	G561 5501	1394 Cable - 2PIN	1
10	G561 5500	1394 Cable - 4PIN	1
11	B581 5660	1394 Board	1
12	B582 5660	Wireless LAN Board	1
13	B735 0088	SD-Card:MIPS:Ass'y	1
13	B735 0590	SD-Card:X86:Ass'y	1

Index No.	Part No.	Description	Q'ty Per Assembly
101	1607 1092	Ferrite Core:RFC-10	1

# Parts Index

## Parts Index

Part No.	Description	Page and Index No.
B659 8607	Operating Instructions - NA	3 - 6

Part No.	Description	Page and Index No.
B581 5660	1394 Board	3 - 11
B582 5660	Wireless LAN Board	3 - 12
B585 5020	PCB:DDR-DIMM:256MB:ASS'Y	3 - 1
B594 5660	PCB NIC ASS'Y	3 - 3
B595 5665	PCB:IEEE1284:ASS'Y	3 - 5
B735 0088	SD-Card:MIPS:Ass'y	3 - 13
B735 0590	SD-Card:X86:Ass'y	3 - 13
G338 1421	Keytop - Printer/Scanner - US	3 - 2
G338 1422	Keytop - Printer/Scanner - EU	3 - 4
G561 5500	1394 Cable - 4PIN	3 - 10
G561 5501	1394 Cable - 2PIN	3 - 9
G628 5400	Option Antenna - GW-WLAN	3 - 7
G628 5461	Wireless Card - US	3 - 8
1607 1092	Ferrite Core:RFC-10	3 - 101